

A close-up photograph of a modern, chrome-finished Billi faucet. A hand is shown from the left, with the index finger pointing towards the faucet's handle. Water is flowing from the spout into a clear glass tumbler. The faucet is mounted on a stainless steel sink with a mesh drain. The background shows a kitchen counter with a wooden edge and a wall with a grid pattern of light and dark grey tiles. The Billi logo is in the top right corner.

BilliTM

Install Guide

Billi Alpine 125

Installation requirements.

—Components for Alpine 125

Before commencing installation, ensure you have identified the following.

1. Underbench module
2. Dispenser upper with tubing
3. Dispenser base & mount
4. Barb locking bush
5. 4mm chrome screw & allen key
6. Large washer
7. Tube spring clamps x 3
8. 450mm flexible braided hose
9. Filter Cartridge (installed)
10. Behind door panel;
 - b. User guide
 - c. Warranty Registration Card
11. Ensure a Stop Tap is installed 450mm from the Billi unit water supply inlet (Stop Tap not supplied)

—Determine Unit Location

Plan the installation. Dispenser tube lengths, position of power and water outlets, required air space around the underbench module and access for service must be considered before cutting tube lengths. Refer to Diagrams 1, and 2 for clearances around the dispenser and unit. Unit must be installed horizontally with plastic vent panel facing to front of cupboard. The Alpine 125 is designed for internal installation only.

—Water Supply

The Alpine 125 must only be connected to a cold water supply. A 15mm stop tap (not supplied) is to be installed in an easily accessible position within 450mm from the Alpine water supply inlet.

Supply Pressure: 250 – 1000 Kpa

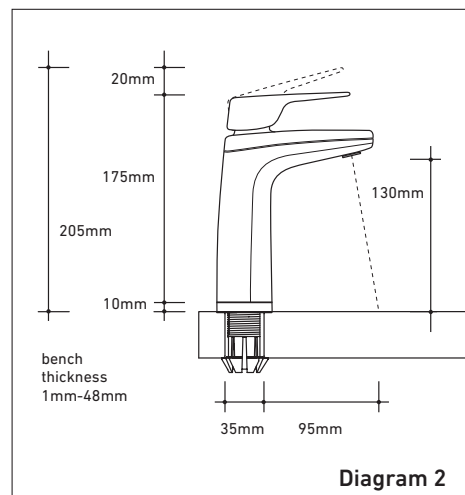
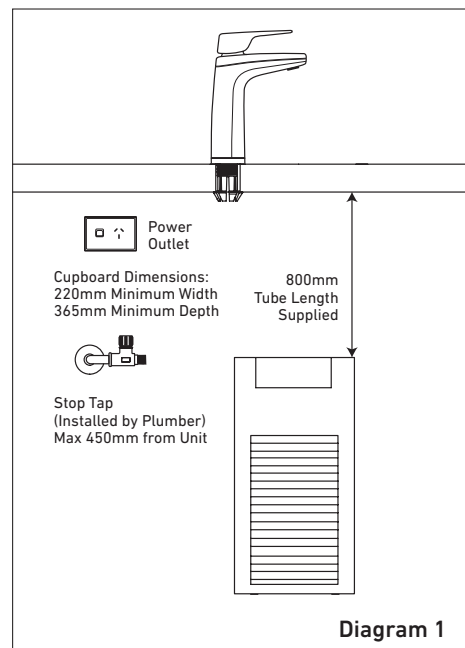
Supply Temperature: 5°C – 30°C

Do not install with water that is microbiologically unsafe or with water of unknown quality without adequate disinfection before or after the system. Systems certified for cyst reduction may be used on disinfected water that may contain filterable cysts.

—Power Requirements

A single 13 amp standard power outlet is required.

Alpine 125 module is supplied with 1 metre of flex cord and plug.



Installing the dispenser.

IMPORTANT: This Billi appliance is to be installed by a licensed tradesperson in accordance with AS 3500.4 or AS/NZ 3500.4.2 and in compliance with applicable state regulatory requirements. For correct operation of this appliance, it is essential to observe the manufacturer's instructions.

1. Install Dispenser Assembly

Determine position of dispenser mounting hole in sinktop or benchtop. Dispenser base template (Diagram 4) may be cut out and used to assist in correct positioning. Refer to Diagram 2 for clearances allowed. Hole size required is $\varnothing 32\text{mm}$.

—Stainless Steel Sinktop

A suitable 32mm hole punch (Part no: 857901) is available as an accessory from Billi Pty Ltd. If possible, cut hole with die mounted below the sinktop surface so that burr is pulled downwards. Alternatively, remove burr and radius edge of hole with fine file. This allows barbed dispenser mount to slide smoothly into mounting hole. Oil hole punch regularly. Lubricate surface to be cut with detergent.

—Timber/Laminate Benchtop

Maximum benchtop thickness is 50mm. Cut 32mm hole in appropriate position*. Cut 32mm hole in appropriate position*. When drilling through a particle board bench top, take care to avoid a large chip breaking away as drill breaks through underside surface. We recommend drilling a small pilot hole through benchtop, partially drilling the 32mm hole from underneath and then completing drilling the hole from above. The large 30mm washer supplied may be used to secure barb where underside particle board bench top has chipped away.

* With granite or marble benchtops we recommend you use a certified stone mason to predrill the hole

2. Fit Dispenser Base

- Cut a 32mm hole in sinktop or benchtop. Remove burr if protruding upwards.
- Push barbed mounting shaft through mount hole.
- Insert barb locking bush as shown in Diagram 5. Finger tighten nut.
- Ensure barb is centred in mount hole before tightening. Check position of base ring and gasket.
- Moderately tighten locking nut using multigrips or spanner. Take care to avoid overtightening nut which may break the plastic threaded shaft.
- Place large washer over thread as shown in Diagram 6.
- Cut off excess threaded shaft with a hacksaw, using washer as a cutting guide.

IMPORTANT: Remove burrs and check internal bore is completely smooth.

3. Fit Dispenser Head Assembly

- Lay dispenser head assembly alongside mounting base assembly.
- Feed dispenser tubing and loom through centre hole in the following order:
 - Dispenser power cord.
 - Grey vent silicone tube. Feed tube until reducing join passes through mount assembly – see Diagram 7.
 - Blue silicone tubing. To assist feeding the tubing, we recommend using silicone spray lubricant. Gently pull hoses from under the benchtop, do not attempt to force tubing through with a pointed object as silicone tube is easily punctured. Check tubing is not kinked or twisted.
- Turn dispenser head assembly to approximately 60° from the straight ahead position of dispenser base. Slide head assembly onto base assembly whilst gently pulling tubing downwards from underneath to prevent tubing bunching and kinking. Mounting lugs will pass nut and slide down the 3 grooves on the swivel bearing.
- Once fully down, turn dispenser to straight ahead position. Fit chrome plated M4 retaining screw to lower rear threaded hole and tighten using the allen key supplied. Check dispenser now swivels smoothly 45° in each direction.

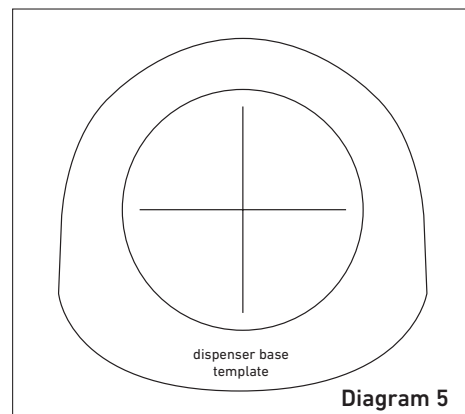


Diagram 5

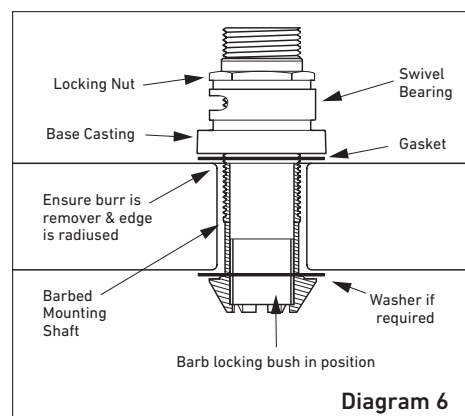


Diagram 6

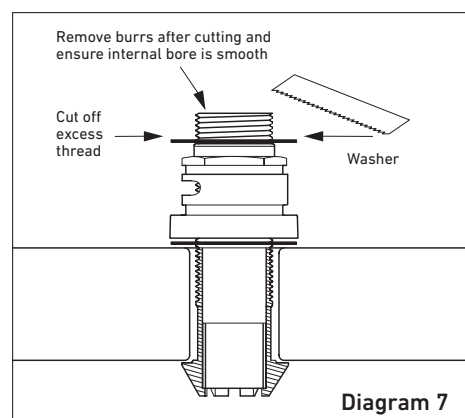


Diagram 7

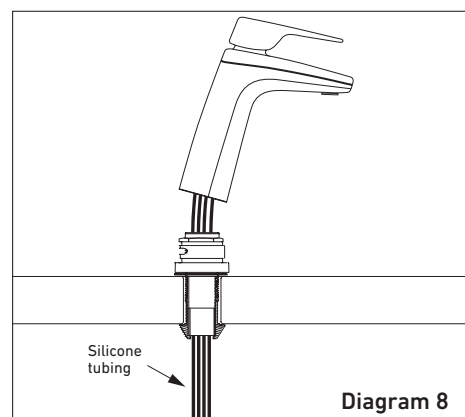


Diagram 8

Installing under-counter module.

REMOVE THE FILTER PACKING FROM UNDER THE FILTER CANISTER

1. Flush Water Supply

Flush water supply pipework before installing the underbench unit by connecting 450mm flexible braided hose to the supply tap and running water into a bucket.

2. Connect Dispenser to Unit

Connect all tubing and electrical plug as shown in diagram 8. Ensure correct orientation of dispenser power plug before insertion. Trim tubes to correct lengths using a sharp knife or plastic tube cutter. Avoid leaving excess tubing which will sag, trapping water.

4. Commission the System

- Remove front panel of unit and remove **packing foam from under filter canister**. Ensure filter canister is securely locked back into place. Replace front panel.
- Turn electricity supply ON at wall outlet.
- Turn water supply tap ON.
- Lift chilled (left) water lever and allow cold tank to fill. Run water for at least 2 more minutes after cold water tank fills and water flows from outlet.
- Release lever and check that there are no leaks.

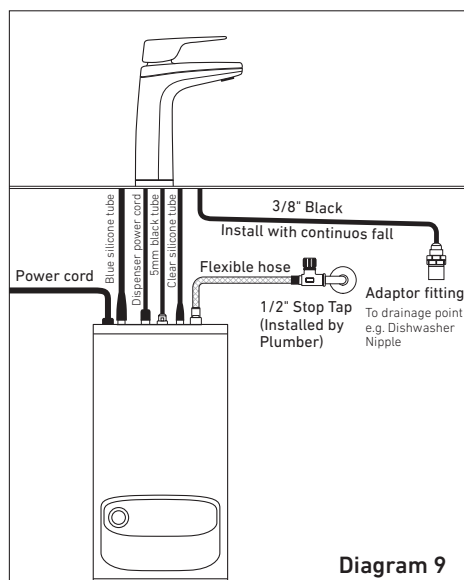
5. Set Chilled Water Temperature

Remove the front panel and set the desired water temperature using the temperature control knob. Refer to *Billi Alpine User Guide*.

**Re-check Connections for Leaks.
Explain Operation to User**

INSTALLATION AND COMMISSIONING CHECKLIST

- Filter packing foam removed from under filter canister.
- Dispenser mounted securely
- Dispenser swivels 45° in each direction – M4 chrome retaining screw fitted.
- Tubing is cut to correct lengths and not kinked or sagging. Red, grey and 10mm black tubes have a continual fall.
- Tubing not twisted or kinked.
- Tubing secured correctly – nuts and spring clips.
- Unit connected to COLD water supply.
- Correct air clearances around unit.
- Power circuit fitted with an RCD – earth leakage protection device.
- Sawdust cleaned out of cupboard area.
- Unit cooling (after initial fill). Blue dispenser icons flashing (or on continually when reached temperature).
- Chilled water flow correct.



WARNINGS.

For continued safety of this appliance it must be installed, operated and maintained in accordance with the manufacturer's instructions.

- Your appliance should be installed by a suitably qualified tradesperson.
- For correct operation of this appliance it is essential to observe the instructions as outlined in this booklet.
- Do not use this appliance with water that is microbiologically unsafe or with water of unknown quality without adequate disinfection before or after the system. Systems certified for cyst reduction may be used on disinfected water that may contain filterable cysts.
- Filter replacement must be performed at intervals of not more than 6 months.
- Use this appliance only as directed in these instructions and only for its designed purpose.
- This appliance is not intended for use by persons (including children) with reduced physical, sensory or mental capabilities, or lack of experience and knowledge, unless they have been given supervision or instruction concerning use of the appliance by a person responsible for their safety.
- Children should be supervised to ensure that they do not play with the appliance.
- DANGER: The operation of the thermal cut-out indicates a possibly dangerous situation. Do not reset the thermal cut-out until the water heater has been serviced by a qualified person.
- WARNING: Do not connect any restrictor or pressure relief device to the vent pipe of this water heater if installed.
- If the supply cord is damaged, it must be replaced by the manufacturer, its service agent or similarly qualified persons in order to avoid a hazard.
- New hose-sets supplied with the appliance are to be used and old hose-sets should not be re-used.

If any problems or difficulties arise contact **Billi (UK) LLP** on **020 7456 6789**. To validate your warranty refer to the warranty card or validate online at www.billi-uk.com.

For information on our filtration and service contracts please contact Billi Customer Service on **020 7456 6789** or client.care@billi-uk.com.

Billi (UK) LLP
Synergy House
Fakenham Road
Morton
Norwich
NR9 5SP

London Showroom:
15 Dufferin Street
London
EC1Y 8PD

As Billi (UK) LLP has a policy of continual improvement, all details are subject to change without notice. All goods are sold subject to our published terms and conditions.

Billi is a registered trademark.
© 2018

A125IG0718

+44(0)20 7456 6789
sales@billi-uk.com
www.billi-uk.com