

Quadra Sparkling Plus Specification Sheet



Featuring a separate mixer tap complete with its own hot water supply, operating as your hot water service and still providing boiling, chilled and sparkling drinking water.

The Quadra Sparkling plus system is a filtered boiling, chilled & sparkling water system which provides boiling, chilled and sparkling water instantly. The plus range includes a separate sink mixer that dispenses hot and cold water.

Adjustable sparkling water

Adjust the level of sparkling to suit your taste with adjustable controls up to 5 bar of CO₂ pressure.

Adjustable chilled temperature

The new Billi sparkling models have an improved chilling capacity & recovery time. A simple adjustable control knob allows the chilled water temperature to be raised or lowered for chilled and refreshing drinks.

New Ice Bank technology for chilled and sparkling water

Our Ice bank technology has a chilled reservoir where both sparkling and chilled water supply passes through. In doing so, the dispensed water temperature is consistently chilled, also providing a higher level of carbonation.

Safety first

Billi's SplashFree™ boiling water delivery electronically varies the water flow, slowing momentarily to eliminate splashing as the water first enters the cup. All Billi dispensers are supplied standard with a safety switch.

Eliminates the need for an additional hot water service

The Billi Quadra Sparkling Plus incorporates its own hot water service all in the two small under-counter units.

Boiling water reserve

The Quadra Sparkling Plus unit has a boiling water reserve to ensure you will always have boiling water after the hot water supply through the mixer tap is fully drawn.

Packaging to include CO₂ canister.



XL Levered with Paddle Mixer in Chrome



Gooseneck Mixer in Chrome

* To order a square mixer change Product code on page 2 from LP to LG

Quadra Sparkling Plus Specification Sheet

Specifications and guide to standard model selection

Product Number	Description	Suggested no. of persons	50°C Hot water delivery litres / hour	Chilled & sparkling cups / hour	Boiling cups / hour	Power required (amps)	Unit Height (mm)	Unit Width (mm)	Unit Depth (mm)	
906065LPCH	Quadra Sparkling Plus XL & Paddle Chrome	60	60	150	180	2 x 13	C&S Boiling	340	180	460

Please note: The BCS Sparkling consists of two modules, the Chilled and Sparkling (C&S) module, and the Boiling module. All Models come in a range of dispenser options and finishes. The codes shown on this table are for XL Dispenser in Chrome only. You can view the options and Product Codes here: www.billi-uk.com/howtospecify

Electrical installation requirements

The Quadra Sparkling Plus consists of two modules and both require their own power outlet. Quadra Sparkling Plus requires 2 x 13 amp outlets. It is supplied with a 1.5 metre flex cord and plug.

Water supply

2 x 15mm (1/2") stop-tap with a male thread should be installed in an easily accessible position. Water supply must be microbiologically safe to drink, with a minimum dynamic water pressure of 2.5 bar to a maximum of 10 bar.

CO₂ Gas Cylinder

The CO₂ gas cylinder supplied must be secured in a suitable location. Each cylinder contains 1100g of CO₂ and should be installed in a well ventilated area. Each cylinder will provide between 200-350L of sparkling water depending on the unit settings. Replacement CO₂ gas cylinders are available from Billi.

Ventilation

Unit requires ventilation. For more information please download our "ventilation guidance support".

Warranty

All components of the Billi units are covered by a 24 month warranty. Filter cartridges are a consumable and are not covered by warranty, as water conditions and usage vary.

Technical Advice

Contact Billi (UK) LLP on 020 7456 6789.

Filtration

Billi have partnered with globally recognised brand Pentair Everpure to create the most technologically advanced filtration for instant boiling and chilled filtered water systems. It removes sediment and chemicals, allows the flow of minerals through without scale build up and suppresses harmful bacteria in the water. Due to the unique Fibredyne™ technology, our filters have a longer life, higher flow rate and lower pressure drop, leaving you with healthy fresh water. All Billi cartridges are certified by NSF International.

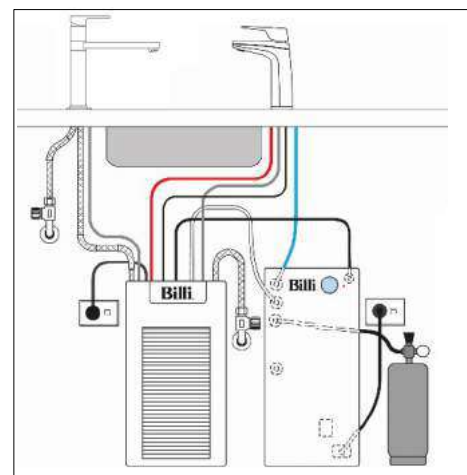
Filter changes are made simple by our swing-change system and replacement cartridges are available online at www.billi-uk.com/online. Optional sub micron and premium submicron filters are available.

Certifications

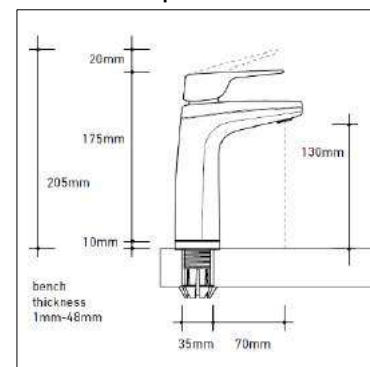
Every Billi drinking water appliance is manufactured under a certified quality control system. Billi Sparkling models have been tested and comply with all required standards including: Watermark; Licence 022690; Tested to; AT55200.105 and AS/NZS4020; AS1428 Accessibility Design Requirements; ISO9001 Certificate Number QEC 11627.



Preferred installation layout



XL Levered tap dimensions



1 cup = 170ml. Based on the initial number of cups of boiling water immediately available, drawn one cup every 10 seconds. Consideration may be needed for usage patterns and draw-off methods.