

Billi™

Install Guide

Billi Spring Bottling System 350



Installation Requirements

POWER: 1 x single 13amp power socket

WATER: potable main water supply terminated with valve

DRAINAGE: drainage connection for drainage front drip tray connection

1. Unpack the carton and check the contents. It should include:

- a. 1 no Billi Spring Bottling System Unit
- b. 1 no Power Cordset
- c. 1 no CO2 Regulator
- d. 1 no CO2 Regulator Connection Kit

Please Note: Installation parts are supplied separately and as requested.

2. Position the unit on a stable and level surface where there is adequate fresh air ventilation, especially to the vent grilles. (Min 150mm gap).

3. Unpack the tap column and check the contents. It should include:

- a. 1 no Tap Column
- b. 2 no Tap Head
- c. 2 no Chrome Collar Ring

4. Assemble the Tap Column assembly using the separate instructions

5. Select a position for the Tap Column and form a correct sized hole in the worksurface.

6. Fit the Tap Column and secure in position with the back nut. Ensure to seal the flange to the worksurface using a washer or sealant.

7. Connect the incoming water supply, according to local regulations, to the bottom 8mm push-fit connector on the back of the unit. (All the parts required for connecting the unit to the water mains up to 2.0m distant are supplied in the optional Standard Installation Kit. This includes all adaptors, a filter, a Waterblock and a Pressure Regulating Valve etc). **Do not turn the water on at this stage.**

8. We recommend the filter is pre-flushed prior to connection.

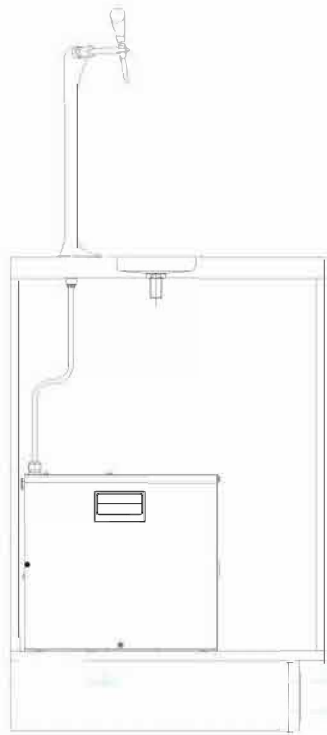
9. Connect the water outlet points on the front of the unit to the respective connections at the bottom of the Tap Column. (All the parts required for connecting the unit to the Tap Column up to 1.0m distant are supplied in the optional Standard Installation Kit. This includes all pipe, adaptors and pipe insulation). Check that the middle connection is capped.

10. Ensure that the pipes are all neatly secured.

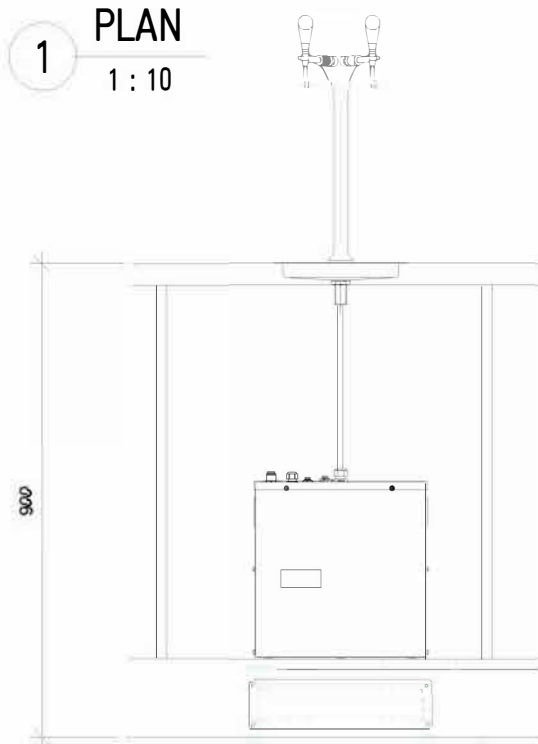
11. Check the knob on the CO2 Regulator is fully off and fit the regulator to the CO2 cylinder.

IMPORTANT: Always point the small vent hole in the regulator away from yourself and any other person.

12. Using the small adaptor kit, connect the CO2 assembly to the 6mm push-fit connection on the back of the unit. (2nd from the bottom).
13. Remove the top cover to the unit and using a jug, carefully fill the inner tank to the level marked. This is on a plate inside the tank.
14. Check the thermostat on the back of the unit is set to > no1. The range is 1-7 with the greatest capacity and the coldest water being achieved at no7.
15. Turn on the water supply and check for any leaks.
16. Connect the power cordset between the IEC plug on the back of the unit and a suitable electrical outlet socket.
17. Switch on the unit using the switch on the back. The internal pump will now run.
18. Open the CO2 regulator and set to approx. 3.5 bar.
19. Operate each tap head in turn to purge air. Check for any leaks.
20. Continue to operate the taps and check for normal operation.
21. The compressor will run until the set cold temperature is achieved.
22. Please Note: CO2 pressure is needed to dispense sparkling water. If there is no sparkling water dispense (and the internal pump is not running) there is very likely to be no CO2 pressure.
23. Regularly check for normal operation.
24. Clean the Tap Column, especially the dispense outlet points but ensure to avoid cross-contamination.
25. Check the water level of the inner tank, under the top cover. Refill as necessary.
26. Check the vent grilles are clear.
27. The water filter should be replaced according to the capacity and usage.
28. If internal sanitisation is required, this should be carried out at the same time as a filter change:
 - a. Turn the water off and remove the existing filter.
 - b. Add 40ml sanitisation fluid (pink coloured type) to an empty, clean service cartridge and fit.
 - c. Turn on the water and using the taps, dispense water until the pink colour can be seen. Now leave for 5-10mins.
 - d. After 5-10mins, continue to dispense water until the water runs clear.
 - e. Remove the service cartridge and replace with a new filter.
 - f. Flush the new filter.
 - g. Check for normal operation.

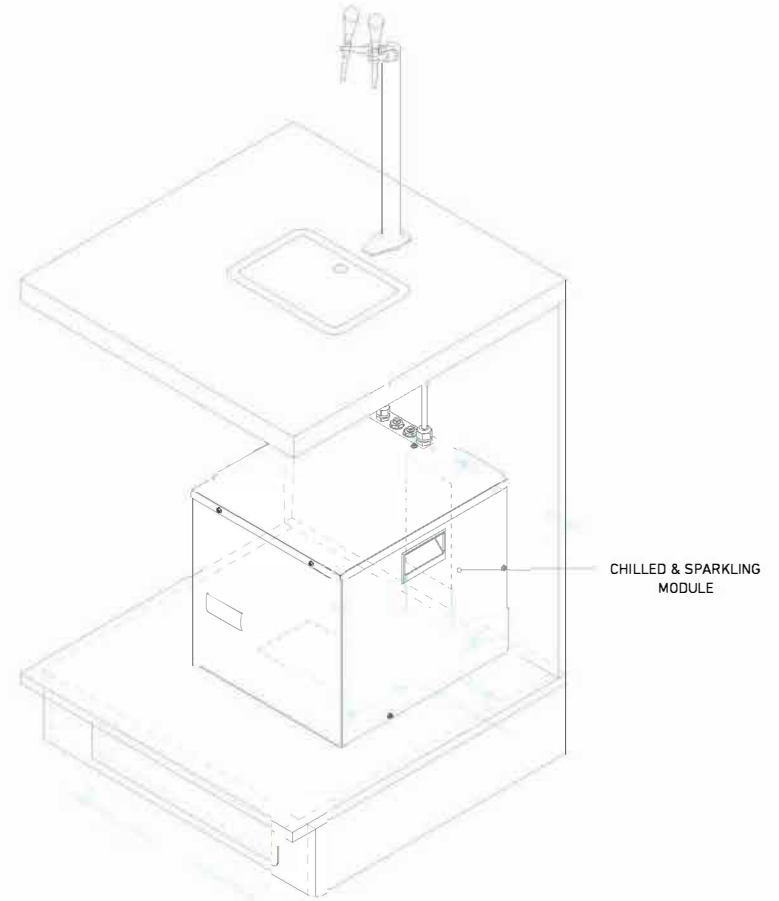


3 SIDE
1 : 10



1 PLAN
1 : 10

2 FRONT
1 : 10



4 ORTHO

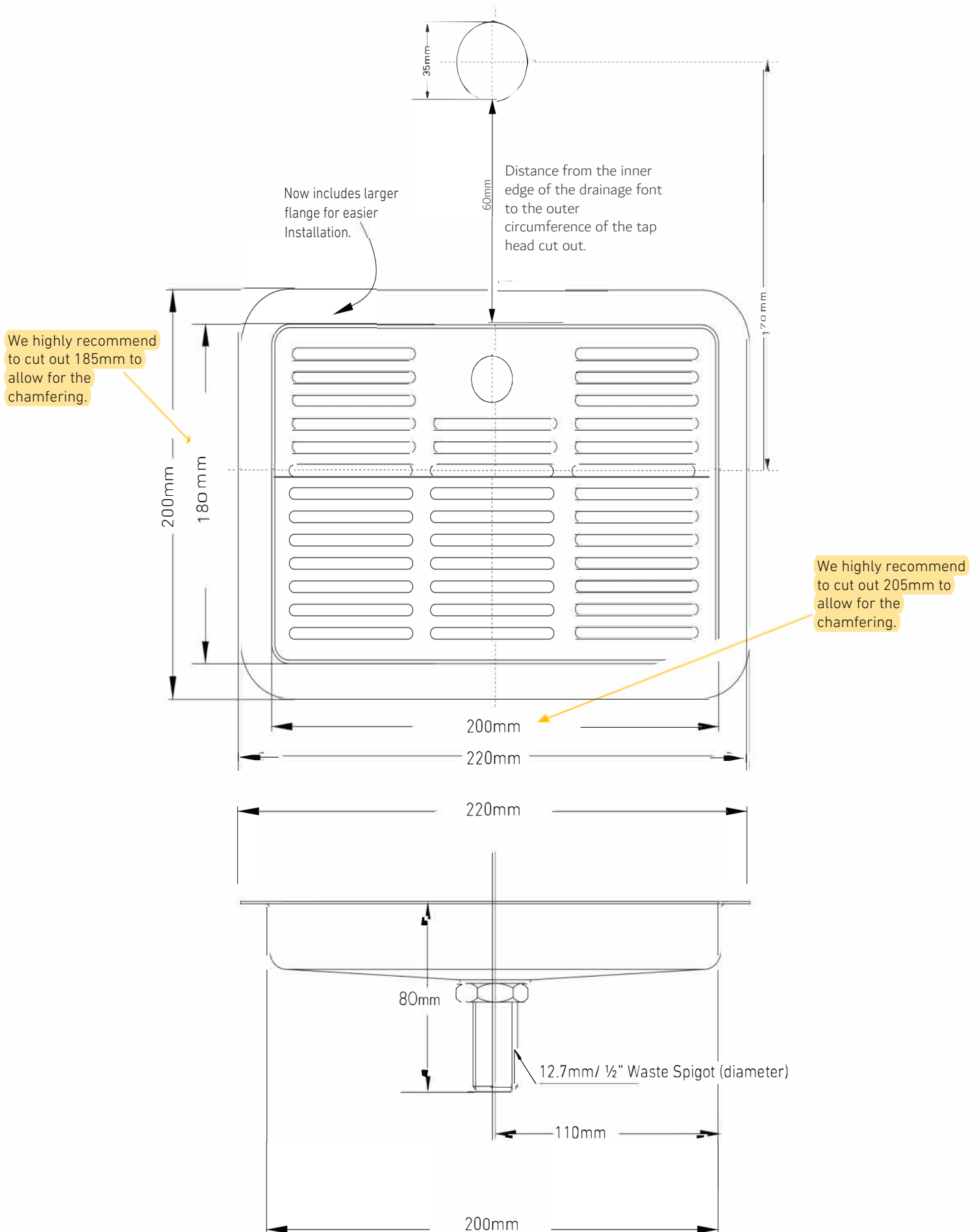
REV. BY	DATE	DESCRIPTION OF CHANGE
1	04.06.2018	INITIAL ISSUE

REVISION

TITLE	BILLI SPRING BOTTLING SYSTEM
PROJECT	SPRING SYSTEM

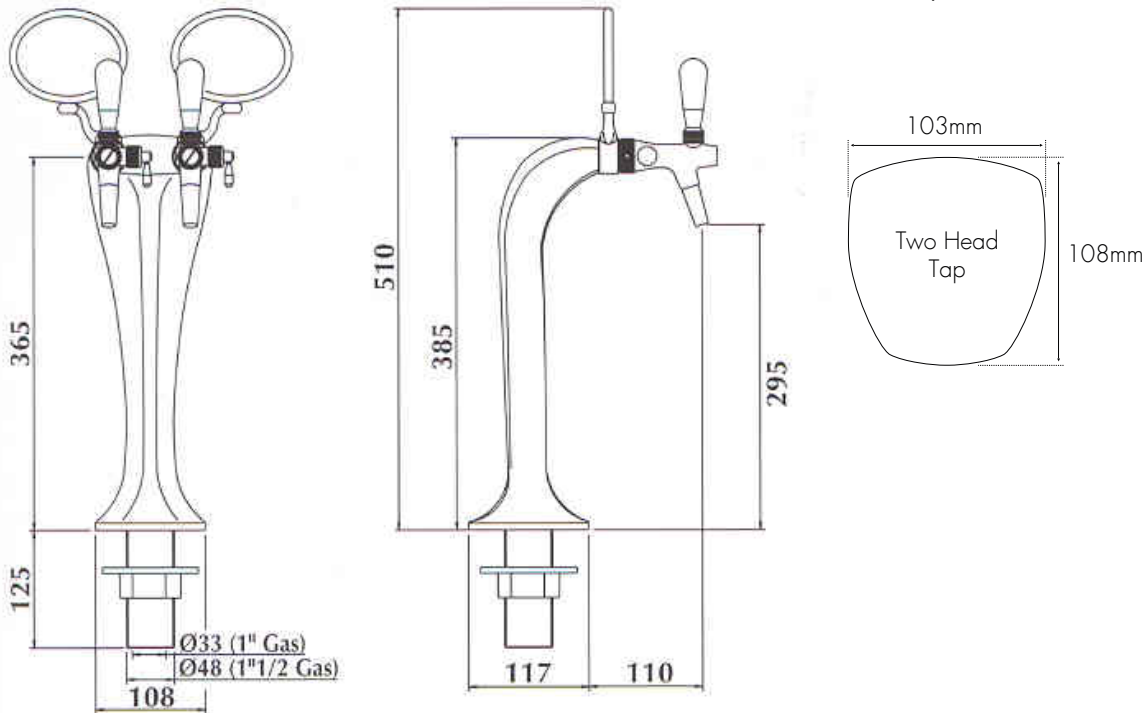
DRAWN	DATE	
AH	04.06.2018	
SCALE	SIZE	DRAWING No.
1 : 10	A3	10135
		REV.
		1

Tap and Drainage Font - Set Out Dimensions



Tap Dimensions

Footprint Dimensions



Billi™

Billi (UK) LLP
6b Central Avenue
St Andrews Business Park
NR7 0HR

+44(0)20 7456 6789
sales@billi-uk.com
www.billi-uk.com

London Showroom:
15 Dufferin Street
London
EC1Y 8PD

As Billi (UK) LLP has a policy of continual improvement, all details are subject to change without notice. All goods are sold subject to our published terms and conditions.

Billi is a registered trademark.
© 2019

BSBSIG0618